

Vibro-WS

ANTI-VIBRATION RUBBER SUPPORTS For GYPSUM BOARD PARTITIONS

Description

Vibro-WS are specially designed homogeneous elastomeric support systems in order to create a floating gypsum board partitions. The semi-cylindrical modulation at their base (for WS.75 & WS.100) and the transversal holes (for WS.50), provide the necessary space for the rubber expansion, increase the deflection and consequently the vibration insulation.

The inclined lateral flaps of **Vibro-WS** cover the fixing bolts on the base and prevent possible sound and thermal bridge with the gypsum board.

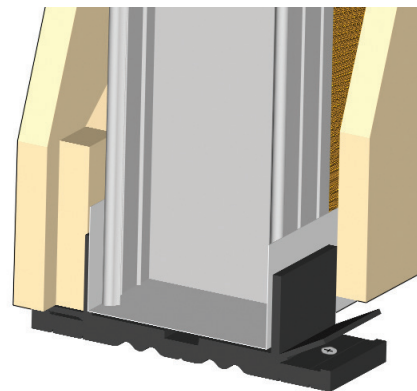


Vibro-WS are installed on floor and ceiling metal profiles (U-runer with width, 50, 75 or 100mm) in correspondence to the C-studs. These rubber, wall supports must be applied on both the floor and the ceiling connection with the floating wall.

They can be fixed on the metal profiles with self drilling screws and on the floor or ceiling with expansion bolts.

The free spaces underneath the metal frame must be filled with sound absorption material (e.g. rockwool) and sealed with elastic mastic.

Part or all of base's lateral flaps, can be cut easily due to its incisions, for applications with smaller thickness (e.g. single gypsumboard) than the flap's length.



Vibro-WS support systems for a floating gypsum board partition

Design and Production according to Quality Management System **ISO 9001.2008** & Environmental Management System **ISO 14001.2004**