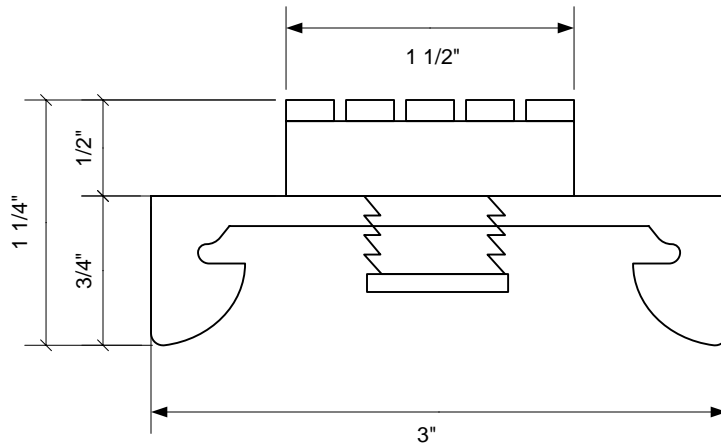


# RSIC-I CLIP DIMENSIONS

PROFILE VIEW



END VIEW

